

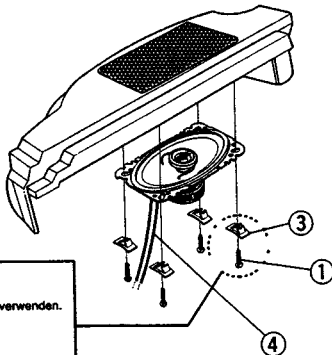
Installation  
Einbau  
Installazione

Installation  
Installatie  
Instalación

KN  
KFC-X468C

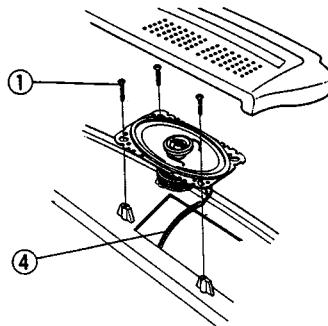


**A**  
Rear Hatch Side Panel  
Plateau latéral arrière  
Hintere seitenregal  
Achterbak zijpaneel  
Scaffale posteriore  
Panel lateral del portón trasero

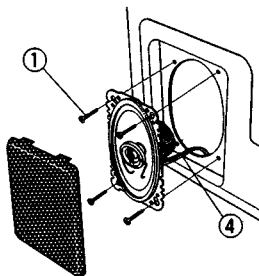


Use either ① or ③.  
Utiliser ① ou ③.  
Entweder ① oder ③ verwenden.  
Jasare ① o ③.  
Usare ① o ③.  
Utilice ① o ③.

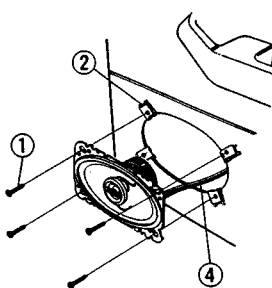
**B**  
Dual Dash  
Tableau de bord  
Armaturenbrett  
Dashboard  
Doppio cruscotto  
Salpicadero



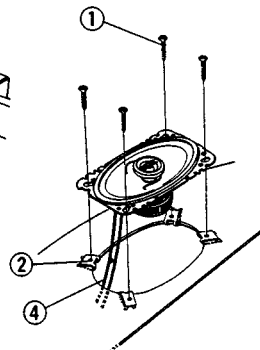
**C-1**  
Door Panel  
Panneau de portière  
Türverkleidung  
Portierpaneel  
Pannelo della portiera  
Panel de puerta



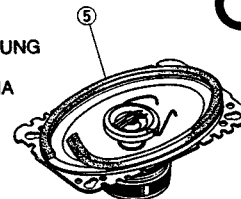
**C-2**  
Door Panel  
Panneau de portière  
Türverkleidung  
Portierpaneel  
Pannelo della portiera  
Panel de puerta



**D**  
Rear Deck  
Plage arrière  
Heckdeckel  
Hoedeplank  
Ripiano posteriore  
Estanteria trasera



CAUTION  
ATTENTION  
LET OP  
ZUR BEACHTUNG  
AVVERTENZA  
ADVERTENCIA



Use the ⑤ if there is a gap between the speaker unit and the mount.  
Utiliser la pièce ⑤ en cas de jeu entre le haut-parleur et sa fixation.  
Gebruik de ⑤ indien er een opening tussen de luidspreker en de bevestiging is.  
Verwenden Sie den ⑤, wenn sich zwischen dem Lautsprecher und der Halterung ein Freiraum befindet.  
Usare ⑤ se fra il diffusore e il suo supporto c'è un intervallo.  
Utilice ⑤ si existe una separación entre el altavoz y la montura.

Parts included  
Mitgeliefertes zubehör  
Parti incluse

Pieces comprises  
Bijgeleverde onderdelen  
Partes incluidas

- ① ④×20.....×8
- ② .....×8
- ③ .....×8
- ④ 3m(10ft).....×2
- ⑤ .....×2

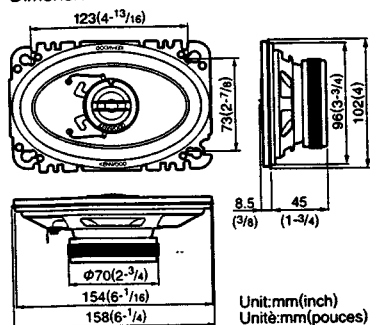
- Do not use the provided speaker cords for other purposes (such as a power cord). Otherwise malfunction or fire hazard could result.
- Ne pas utiliser les cordons de liaison aux enceintes pour une destination autre que celle prévue (par exemple, pour alimenter un appareil). Faute de quoi, un défaut de fonctionnement ou un incendie pourraient en résulter.
- Die mitgelieferten Lautsprecherkabel dürfen nicht für andere Zwecke verwendet werden (z.B. als Netzkabel), da dies eine Funktionsstörung oder die Gefahr eines Brandes verursacht.
- Gebruik de bijgeleverde luidsprekersnoeren niet voor andere doeleinden (bijvoorbeeld als netsnoer), daar dat mogelijk brand of andere problemen veroorzaakt.
- Non utilizzare i cavi dei diffusori in dotazione per scopi diversi (come, ad esempio, cavi di alimentazione). In caso contrario si possono causare incendi e folgorazioni.
- No utilice los cables de altavoces suministrados para otros propósitos (tales como los de un cable de alimentación). Si no, podrían producirse averías o peligros de incendio.

Speaker locations  
Emplacement des haut-parleurs  
Platzierung der Lautsprecher  
Plaatsen van luidsprekers  
Luogo di installazione degli altoparlanti  
Ubicación de los altavoces



Dimensions  
Abmessungen  
Dimensions

Dimensions  
Afmetingen  
Dimensiones



Unit:mm(inch)  
Unité:mm(pouces)

VOLUME 0.0034m<sup>3</sup>/0.12ft<sup>3</sup> WEIGHT/POIDS 1.5kg/3.3lb

KENWOOD CORPORATION  
TOKYO 150-8501 JAPAN

DESIGNED AND ENGINEERED IN JAPAN  
MADE IN INDONESIA / FABRIQUE EN INDONESIE

# IMPORTANT SAFEGUARDS

# KENWOOD

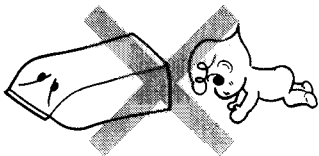
KENWOOD CORPORATION

**⚠ Caution : Read this page carefully to keep your safety**

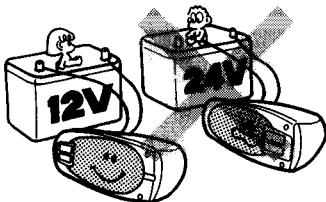
©PRINTED IN SINGAPORE B58-0467-00(W)(FS) 017595  
8012 11 10 9 8 7 6 5 4 3 2 1 89/12 11 10

Please read all of the safety and operating instructions before operating this unit. For best results, follow all warnings placed on the unit and adhere to the operating and use instructions. These safety and operating instructions should be retained for future reference.

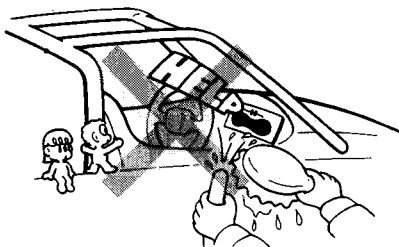
**1 Suffocation** — After taking the unit out of the polyethylene bag, be sure to dispose of the polyethylene bag out of the reach of children. Otherwise, they may play with the bag, which could cause hazard of suffocation.



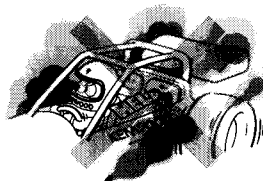
**2 Power supply voltage** — Connect the illumination lamp-equipped speakers to DC 12 V, negative ground.



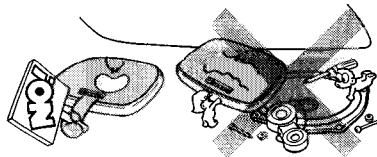
**3 Water and moisture** — Do not install the speakers in locations which may be subject to water or moisture.



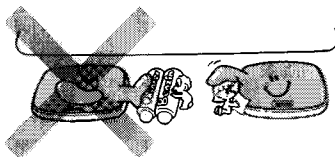
**4 Dust and unstable locations** — Do not install the speakers in unstable locations or locations subject to dust.



**5 Modification** — Do not attempt to open or modify the unit, for this could cause fire hazard or malfunction.



**6 Cleaning** — Do not use gasoline, naphtha, or any type of solvent to clean the speakers. Clean by wiping with a soft, dry cloth.



**7 Abnormal smell** — In the event the unit generates smoke or abnormal smell, immediately switch the power OFF. After this, please contact your dealer or nearest service station as soon as possible.

**POWER OFF!**



## Content

	Page
U.S.A.	2
Australia	3
Canada	4
Military	6
Belgique et Grand-duché de Luxembourg	8
Danmark	9
Deutschland	9
Nederland	10
Portugal	10
U.K. & Ireland	11
Österreich	11
Ellás	12
España	12
France	13
Italia	13
Suomi	14
Andorra	14
Iceland	14
Malta	14
Norge	15
Schweiz	15
Svizzera	15
Suisse	15
Sverige	15

Dear Customer,

Thank you for purchasing the Product. As mentioned on this page of this booklet, our Warranty is only valid in the countries listed. If your country is not listed please contact your retailer for information on warranty procedure or write to:

**KENWOOD Customer Information Center**  
3-6-17 Aobadaí  
Meguro-ku Tokyo 153 JAPAN  
Kenwood Corporation  
Customer Information Center

# KENWOOD

# Warranty Card

Geräte-Typ und Seriennummer  
Identification du produit  
Produkt navn og serie nummer  
Modelo y Número de serie  
Malli ja sarjanumero  
Μοντέλο και αριθμός σειράς  
Modello e numero di matricola  
Modell og serienummer  
Modelo e numero de série  
Apparat typ & serienummer  
Identificatie van het produkt  
Módel heiti og raðnumber  
Il-Mudell u s-serial number  
Model name & serial number

Stempel und Unterschrift des Händlers  
Revendeur & cachet  
Forhandler  
Distribuidor y sello  
Jälleenmyyjä & leima  
Σφραγίδα εταρτίας  
Timbro del rivenditore  
Forhandlerens navn og stempel  
Agente e carimbo  
Återförsäljare & stämpel  
Dealer & stempel  
Undirritun og stimpill söluaðila  
Timbru tal-bejjiegh  
Dealer & stamp

Kaufdatum  
Date d'achat  
Købsdato  
Fecha de compra  
Ostopäivä  
Ημερομηνία αγοράς  
Data di acquisto  
Kjøpt dato  
Data de compra  
Inköpsdatum  
Aankoopdatum  
Sölu dagur  
Id-data ta' meta nxtara  
Purchase date

Name und Anschrift des Käufers  
Nom & adresse du client  
Købers navn og adresse  
Nombre y dirección del cliente  
Asiakkaan nimi & osoite  
Όνομα και διεύθυνση αγοραστή  
Nome e indirizzo del cliente  
Kundens navn og adresse  
Nome e morada do comprador  
Kundens namn & adress  
Naam & adres van de klant  
Nafn og heimilisfang kaupanda  
L-isen u l-indirizz tax-xerrej  
Name & address of customer

The tables of content are a back cover

This warranty will be honored only in the U.S.A.

## **KENWOOD LIMITED WARRANTY FOR CAR STEREO COMPONENTS**

### **HOW LONG IS THE WARRANTY**

Kenwood U.S.A. Corporation ("Kenwood") warrants this product for a period of one (1) year from the date of original purchase.

### **WHAT IS COVERED AND WHAT IS NOT COVERED**

Except as specified below, this warranty covers all defects in material and workmanship in Kenwood car stereo components. The following are not covered by the warranty:

1. Any product which is not distributed in the U.S.A. by Kenwood or which is not purchased in the U.S.A. from an authorized Kenwood car stereo dealer or an automobile dealer, unless the product is purchased through the U.S.A. Military Exchange Service.
2. Any product on which the serial number has been defaced, modified or removed.
3. Damage, deterioration or malfunction resulting from:
  - a. Any shipment of the product (claims must be presented to the carrier).
  - b. Installation or removal of the product.
  - c. Accident, acts of nature, misuse, abuse, neglect, unauthorized product modification or failure to follow instructions supplied with the product.
  - d. Repair or attempted repair by anyone not authorized by Kenwood.
  - e. Any other cause which does not relate to a product defect.

### **WHO IS PROTECTED**

This warranty is enforceable only by the original purchaser.

### **WHAT WE WILL PAY FOR**

We will pay for all labor and material expenses for covered items. Payment of shipping charges is discussed in the next section of this warranty.

### **HOW TO OBTAIN WARRANTY SERVICE**

If your KENWOOD product ever needs service:

1. Take or ship it to any KENWOOD Authorized Service Center in the U.S.A. along with & complete description of the problem. (if you are uncertain as to whether a Service Center is authorized, please call 1-800-KENWOOD for the nearest Service Center. 1-800-536-9663).
2. Although you must pay any shipping charges if it is necessary to ship the product for warranty service, we will pay the return shipping charges if the repairs are covered by the warranty within the United States.
3. Whenever your units are taken or sent for warranty service, you must include a copy of the original dated sales receipt as proof of warranty coverage.

### **LIMITATION OF IMPLIED WARRANTIES**

ALL IMPLIED WARRANTIES, INCLUDING WARRANTIES OF MERCHANTABILITY AND FITNESS FOR A PARTICULAR PURPOSE, ARE LIMITED IN DURATION TO THE LENGTH OF THIS WARRANTY.

### **EXCLUSION OF DAMAGES**

KENWOOD'S LIABILITY FOR ANY DEFECTIVE PRODUCT IS LIMITED TO THE REPAIR OR REPLACEMENT OF THE PRODUCT AT OUR OPTION. KENWOOD SHALL NOT BE LIABLE FOR:

1. INSTALLATION OR REMOVAL CHARGES, DAMAGE TO OTHER PROPERTY CAUSED BY ANY DEFECTS IN KENWOOD CAR STEREO COMPONENTS, DAMAGES BASED UPON INCONVENIENCE, LOSS OF USE OF THE PRODUCT; OR
2. ANY OTHER DAMAGES, WHETHER INCIDENTAL, CONSEQUENTIAL OR OTHERWISE.

SOME STATES DO NOT ALLOW LIMITATIONS ON HOW LONG AN IMPLIED WARRANTY LASTS AND/OR DO NOT ALLOW THE EXCLUSION OR LIMITATION OF INCIDENTAL OR CONSEQUENTIAL DAMAGES, SO THE ABOVE LIMITATIONS AND EXCLUSIONS MAY NOT APPLY TO YOU.

This warranty gives you specific legal rights, and you may also have other rights which vary from state to state.

If a problem develops during or after the Limited Warranty Period, or if you have any questions regarding the operation of the product, you should contact your KENWOOD Authorized Dealer or Authorized Service Center. If the problem or your question is not handled to your satisfaction, please contact our Customer Relations Department at the address listed below: